

Table of Contents

Introduction	3
Welcome	3
Breaking-in your vehicle	4
Shelby® GT500® Unique Features	5
Driving your Shelby® GT500®	10
AdvanceTrac®	11
Driving through water	11
Ground clearance	12
Washing your vehicle	12
Chassis	13
Wheels and Tires	14
Wheels	14
Wheel lug nut torque	14
Tire information	15
Roadside Emergencies	19
Wrecker towing	19
Maintenance	23
Engine oil	24
Air filter(s)	30
Part numbers	30
Refill capacities	31
Warranty Coverage	35

Table of Contents

Scheduled Maintenance Guide	36
Normal scheduled maintenance and log	41
Index	52

The information contained in this publication was correct at the time of going to print. In the interest of continuous development, we reserve the right to change specifications, design or equipment at any time without notice or obligation. No part of this publication may be reproduced, transmitted, stored in a retrieval system or translated into any language in any form by any means without our written permission. Errors and omissions excepted.

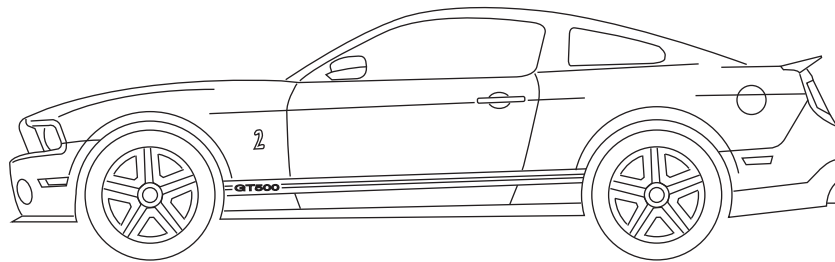
© Ford Motor Company 2012

2

Introduction

WELCOME

Congratulations on your decision to purchase or lease the latest from Ford SVT — the Shelby GT500. If you've owned or leased an SVT product in the past, we're glad you're back. If this is your first SVT vehicle, welcome to the SVT family! We are confident that our dedication to performance, quality, craftsmanship and customer service will provide many miles of exhilarating, safe and comfortable driving in your new Shelby GT500.



Your choice of an SVT product is an intelligent and informed one. SVT strives to build engaging vehicles that involve the driver in every aspect of the driving experience. Although performance is at the heart of every SVT vehicle, we go much further. Our goal is to deliver a comprehensive, complete vehicle, sweating the details such as the sound of the exhaust, the quality of the interior materials, and the functionality and the comfort of the seats, to make sure that the driver enjoys not only exceptional performance but an outstanding *driving environment* as well. In the Shelby GT500, that philosophy is expressed by a sophisticated powertrain, outstanding chassis dynamics and significant interior and exterior enhancements.

This supplement complements your *Mustang Owner's Manual* and provides information specific to SVT and the GT500. By referring to the pages listed in this supplement, you can identify those features, recommendations and specifications unique to your new SVT vehicle. If there are any discrepancies between this supplement and the Mustang Owner's Manual, this supplement shall supersede the information found in the Mustang Owner's Manual.

If you have any questions or concerns regarding your Shelby GT500, please call the Ford Performance Info Center at 1-800-FORD-SVT (367-3788).

Introduction

SVT HISTORY

The Ford Special Vehicle Team (SVT) was established in 1991 to “Polish the Ford Oval” by creating low-volume, factory-produced vehicles designed for those select few whose idea of driving is a high-powered, passionate experience — not just a means of getting from point A to point B.

In a move to support this spirited enthusiasm, Ford Motor Company carefully integrated the wide array of talent in the company into a small, cross-functional group of engineers and product planners, housed together under one roof with a common mission: to create vehicles specifically designed to meet the unique needs and desires of the knowledgeable driving enthusiast.

Each of nearly 150,000 SVT vehicles produced since the 1993 model year has been designed and developed with the four SVT Hallmarks in mind: Performance, Substance, Exclusivity and Value. These hallmarks have driven the SVT Mustang Cobra and the Cobra R, the SVT F-150 Lightning, the SVT Contour, the SVT Focus, Ford GT, Shelby GT500, GT500KR and the F-150 SVT Raptor.

We are proud and passionate about what we do, and we’re glad you have made us your choice.

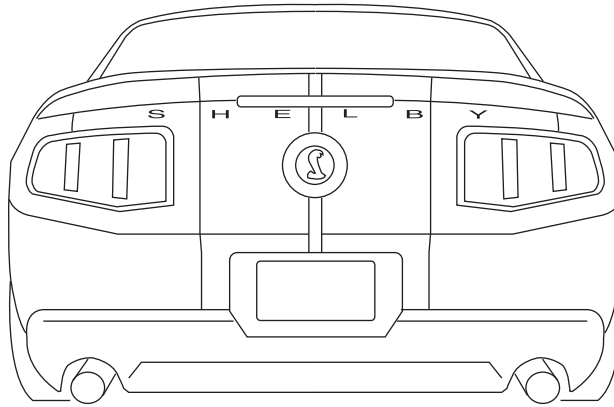
BREAKING-IN YOUR VEHICLE

Your vehicle requires a break-in period. Drive your new vehicle at least 100 miles (160 km) before performing extended wide open throttle maneuvers and at least 1,000 miles (1,600 km) before performance/competition conditions. Vary your speed frequently in order to give the moving parts a chance to break in.

Alternate calibration

Your Shelby GT500 power train control module (PCM) strategy contains a feature to limit supercharger boost pressure and engine speed to 4,000 rpm for the first five consecutive miles of vehicle operation or 50 engine start/warm up cycles. This feature is enabled prior to shipment. If neither of these conditions have been satisfied prior to customer delivery, full power will not be available.

Shelby® GT500® Unique Features



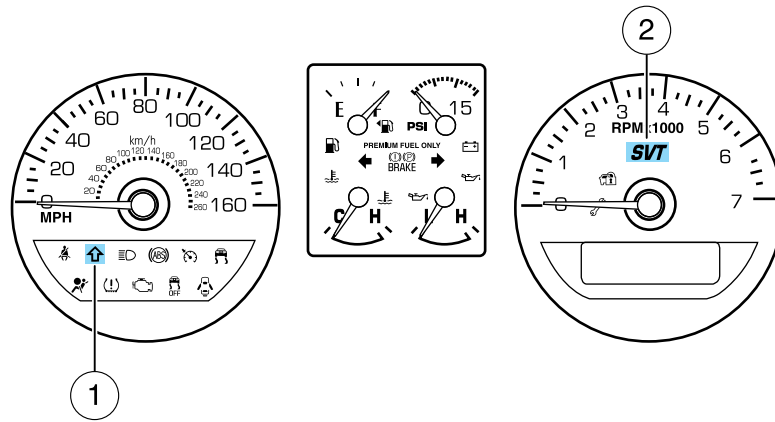
- 5.4L DOHC 32V Supercharged V-8 engine with intercooler — 550 horsepower @ 6,200 rpm, 510 lb-ft torque @ 4,250 rpm SAE certified
- Low-restriction, cold air intake system
- SVT tuned 2.75” exhaust system with 4-inch tips
- Engine oil cooler
- TR-6060 6-speed manual transmission
- Twin disc clutch
- Anti-lock brake system
- Front brakes: Brembo four-piston aluminum calipers with 14-inch vented disc, slotted dust shields and high-performance friction material pads
- Rear brakes: include high-performance friction material pads
- SVT tuned front and rear suspension
- 19 in. x 9.5 in. forged aluminum wheels (standard)
- P255/40ZR-19 front, P285/35ZR-19 rear Goodyear F1 tires (standard)
- 19 in. x 9.5 in. front, 20 in. x 9.5 in. rear forged aluminum wheels (optional)
- P265/40-19 front, P285/35-20 rear directional “R” compound tires (optional)

Shelby® GT500® Unique Features

- Unique front fascia, rear fascia, aerodynamically tuned front splitter, fog lamps, hood with functional air extractors and rear decklid spoiler
- Limited slip rear differential w/ 3.55 rear axle ratio (3.73 rear axle ratio included on the optional performance package)
- Short-throw shifter
- Flat blade wiper system
- AdvanceTrac® Stability Enhancement System with sport mode specifically calibrated and race track tuned. Refer to the *Driving* section in your *Owner's Guide* for more information.
- Unique instrument cluster with boost gauge and programmable performance shift indicator
- Unique Shelby GT500 seats
- Optional "race inspired" Recaro front seats with increased lateral support on back and cushion, unique Shelby GT500 trim cover, integrated head restraint, and driver four-way manual adjuster. Refer to the *Seating and safety restraints* section in your *Owner's Guide* for more information
- Leather and Alcantara wrapped sport steering wheel, shift boot and parking brake control handle
- I/P appliques, door panels and scuff plates

Shelby® GT500® Unique Features


SHELBY GT500 INSTRUMENT CLUSTER



Upshift

Illuminates when it is best to shift to the next highest manual transmission gear to maximize fuel economy.

Multi-shift indicators:

1.  (Upshift): Set for maximum fuel economy
2. SVT: Performance shift indicator

Performance shift indicator

Your vehicle is equipped with a programmable performance shift indicator. When activated, this feature provides a visual (SHIFTLAMP) and/or audible (SHIFTTONE) cue to shift to the next highest gear at an engine rpm specified by the driver.

The SHIFTLAMP feature uses the SVT logo on the tachometer to notify you when the desired shiftpoint is reached. The SVT symbol is backlit in red under normal driving conditions (SHIFTLAMP OFF). When the SHIFTLAMP is set to ON, the red backlighting is turned off and the SVT logo will turn bright orange when the desired shift point is reached.

The SHIFTTONE feature uses an audible tone to notify you when the desired shiftpoint is reached.

SHIFTLAMP and SHIFTTONE can be used separately, together, or turned off completely.

Shelby® GT500® Unique Features

To use the performance shift indicator feature, **first bring the vehicle to a complete stop** then use the message center controls as follows:

Note: The vehicle's headlamps or park lamps must be on to perform/check light functions.

1. Press SETUP repeatedly until PRESS RESET TO SET SHIFTPOINT appears in the display.



2. Press RESET to choose between SHIFTLAMP ON/OFF. Press SETUP when finished.



3. Press RESET to choose between SHIFTTONE ON/OFF. Press SETUP when finished.


4. Press and hold INFO to lower the desired SHIFTPOINT in increments of 100 rpm.



5. Press and hold RESET to raise the desired SHIFTPOINT in increments of 100 rpm.



Note: The SHIFTPOINT can be adjusted from 1,500-6,500 rpm.

The performance shift indicator feature functions independently of the fuel economy upshift indicator . The upshift indicator will still illuminate when it is best to shift to the next highest gear to maximize fuel economy regardless of the performance shift indicator settings.

Shelby® GT500® Unique Features

Unique instrument cluster lighting

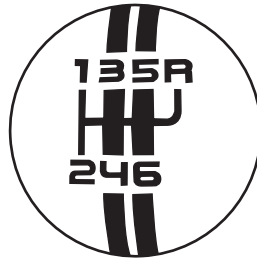
Your vehicle is equipped with a unique instrument cluster color display. You can select R-W-B which will illuminate the speedometer in red, the Fuel/Boost/Temp/Oil pressure gauges in white and the tachometer in blue. Pointer colors are not adjustable.

The instrument cluster will momentarily display the R-W-B coloring when the ignition is turned to on or start and will then return to the previously chosen color.

For instructions on how to set the instrument cluster display color or MyColor™, refer to *Message center* in the *Instrument Cluster* chapter of the *Owner's Guide*.

Driving your Shelby® GT500®

MANUAL 6-SPEED TRANSMISSION OPERATION



Using the Clutch

The manual transmission has a starter interlock that prevents cranking the engine unless the clutch pedal is fully depressed.

To start the vehicle:

1. Make sure the parking brake is fully set.
2. Press the clutch pedal to the floor, then put the gearshift lever in the neutral position.
3. Start the engine, then press the brake pedal and release the parking brake.
4. Move the gearshift lever to 1st gear, then slowly release the clutch pedal while slowly pressing on the accelerator.

During each shift, the clutch pedal must be fully pressed to the floor. Failure to fully press the clutch pedal to the floor may cause increased shift efforts, prematurely wear transmission components, or cause gear clash or damage to the transmission. Make sure the floor mat is properly positioned so it doesn't interfere with the full extension of the clutch pedal.

Note: If you attempt to shift when the drive wheels are spinning with a loss of traction, it is possible to cause damage to the transmission. Do not attempt to shift when the drive wheels do not have traction.

Do not drive with your foot resting on the clutch pedal or use the clutch pedal to hold your vehicle at a standstill while waiting on a hill. These actions will reduce the life of the clutch.

Your vehicle is equipped with a twin disc clutch. Due to the high performance of the powertrain, a certain amount of noise from the transmission is normal.

10

Driving your Shelby® GT500®

Recommended shift speeds

Upshift according to the following chart:

Upshifts when accelerating	
Shift from:	
1 - 2	9 mph (14 km/h)
2 - 3	18 mph (29 km/h)
3 - 4	29 mph (47 km/h)
4 - 5	38 mph (61 km/h)
5 - 6	41 mph (66 km/h)

ADVANCETRAC® STABILITY ENHANCEMENT SYSTEM

AdvanceTrac® Sport Mode

The AdvanceTrac® system provides an available Sport Mode specially calibrated for the GT500's unique performance characteristics. This can be selected utilizing the stability control off switch. See the *Driving* section of the *Owner's Guide* for more information.

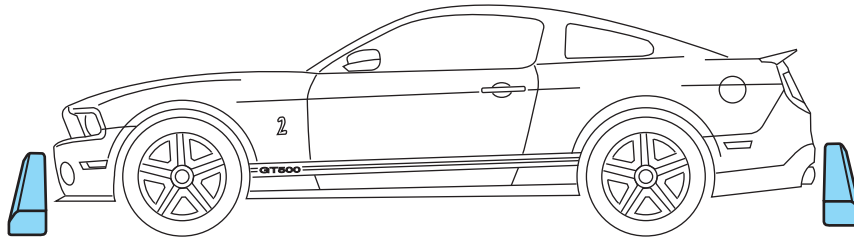
Sport mode is not intended for use on public roadways as this mode provides less AdvanceTrac® system intervention than when the default ESC and traction control systems are on. Sport mode will allow more spirited driving while the AdvanceTrac® system is still enabled.

DRIVING YOUR SHELBY GT500 THROUGH WATER

The Ford Shelby GT500 has aerodynamic devices attached to the underbody designed to help control airflow for superior performance. Therefore, the driver must be especially careful to avoid driving through deep or standing water. If driving through deep or standing water is unavoidable, proceed very slowly. Never drive through water that is higher than the bottom of the wheel rims. Water may enter through the air intake due to the vacuum generated in the engine. Damage caused by the intake of water in the engine is not covered by the warranty.

Driving your Shelby® GT500®

GROUND CLEARANCE



Because of low vehicle ground clearance, use caution when approaching curbs/curb stops from the front and rear as vehicle damage will occur. Additionally, when crossing speed bumps or driveway curbs, SVT recommends approaching at a 45 degree angle to reduce the risk of vehicle damage.

WASHING YOUR SHELBY GT500

Do not drive your vehicle through an automated, commercial car wash due to the vehicle's low ground clearance, tire width and track. Wash your vehicle by hand, or by using a touchless commercial wash with no mechanical tracks on the floor. Do not use a commercial or high pressure wand on the striped surfaces or stripe edges.

Chassis

SUSPENSION

- MacPherson strut with L-arm front suspension
- 8.8 inch solid rear axle with limited slip differential (3.55:1 ratio standard, 3.73:1 ratio optional)

Coupe stabilizer bars:

- 33.2 x 5.0 mm tubular front stabilizer bar
- 23.0 mm standard, 24.0 mm optional solid rear bar
- Tokico twin tube shocks and struts

Convertible stabilizer bars:

- 33.2 x 5.0 mm tubular front stabilizer bar
- 23 mm standard, 22 mm optional solid rear bar
- Tokico twin tube shocks and struts

Coupe spring rates:

- 34.0 N/mm front and 31.5 N/mm rear standard
- 41.0 N/mm front and 34.5 N/mm rear optional

Convertible spring rates:

- 31.5 N/mm front and 27.3 N/mm rear standard
- 34.0 N/mm front and 31.5 N/mm rear optional

Wheels and Tires

WHEELS

Your SVT vehicle is equipped with unique wheels matched to the tires. These wheels are more susceptible to damage due to their diameter, width and low profile tires. To avoid damage to your wheels:

- Maintain proper tire pressure (see *Tires* in this supplement).
- Do not drive your vehicle through an automated, commercial car wash due to the vehicle's low ground clearance, tire width and track. Wash your vehicle by hand, or by using a touchless commercial wash with no mechanical tracks on the floor. Do not use a commercial or high pressure wand on the striped surfaces.
- When installing wheels, always torque lug nuts to specification with a torque wrench.
- Inspect your wheels for damage on a regular basis. If a wheel is damaged, replace it immediately.
- In the event that you encounter an abnormally harsh impact, inspect the outer diameter of your wheels, both inside and out, for damage.

Operating at high speeds

Your SVT vehicle is capable of high speeds and is equipped with tires rated for the vehicle's maximum speed, electronically limited to 155 mph (250 km/h). Remember to drive safely, obey all traffic laws and only operate your SVT vehicle at high speeds at locations equipped and designed to do so safely. Before operating your vehicle at high speeds:

- Ensure correct tire pressures (see *Tires* in this supplement).
- Inspect wheels and tires for wear and damage. Replace any damaged wheels or tires.
- Do not operate your vehicle at high speeds with more than two passengers or while carrying cargo.

Wheel Lug Nut Torque Specifications



WARNING: When a wheel is installed, always remove any corrosion, dirt or foreign materials present on the mounting surfaces of the wheel or the surface of the wheel hub, brake drum or brake disc that contacts the wheel. Make sure that any fasteners that attach the rotor to the hub are secured so they do not interfere with the mounting surfaces of the wheel. Installing wheels without correct metal-to-metal contact at the wheel mounting surfaces can cause the wheel nuts to loosen and the wheel to come off while the vehicle is in motion, resulting in loss of control.

Wheels and Tires

Retighten the lug nuts to the specified torque at 500 miles (800 km) after any wheel disturbance (tire rotation, changing a flat tire, wheel removal, etc.).

Bolt size	Wheel lug nut torque*	
	ft-lb	N•m
1/2 x 20	100	135

* Torque specifications are for nut and bolt threads free of dirt and rust. Use only Ford recommended replacement fasteners.

TIRE INFORMATION

Your SVT vehicle is equipped with unique wheels and tires designed to enhance performance. To continue providing this performance, extra care must be taken when operating and maintaining your vehicle.

Tires	P255/40ZR-19 front, P285/35ZR-19 rear (standard) P265/40-19 front, P285/35-20 rear tires (optional)
Wheels	19 in. x 9.5 in. forged aluminum wheels (standard) 19 in. x 9.5 in. front, 20 in. x 9.5 in. rear forged aluminum wheels (optional)

Tires

Your SVT vehicle is equipped with low profile, high performance tires that are designed to optimize the driving dynamics you expect in a SVT vehicle. These tires are not optimized for off-road or winter (snow or cold weather) performance, and their ride, noise and wear characteristics are different than non-performance tires. Also, because of their lower profile, the tires are more susceptible to damage due to potholes and rough roads. To ensure that your tires perform as intended, it is important that you maintain your tires properly:

- The Shelby GT500 original equipment tires are optimized for performance in both wet and dry conditions. Ford does not recommend using the original equipment tires when temperatures drop to approximately 40°F (5°C) or below (depending on tire wear and environmental conditions) or in snow/ice conditions.

Wheels and Tires

- The Shelby GT500 optional P265/40-19 front, P285/35-20 rear directional tires were designed for track use and may exhibit significantly reduced tread life and increased tire noise compared to the standard equipment tires under normal driving conditions. Increasing the front camber settings beyond the factory settings may further accelerate tread wear and induce tire noise.
- **Do not use tire chains** on the original wheels and tires of your vehicle. The use of any type of tire chain on these tires may damage your vehicle.
- For tire pressures, see the placard located on the B-pillar inside the driver's door.
- Always maintain your tire pressures according to the tire information placard on the driver's door jamb, using an accurate gauge.
- Tire pressures are specified "cold" and should be checked after the vehicle has been parked for at least 3 hours. Do not reduce pressure of warm tires.
- Check your tire pressure often to maintain it properly. Tire pressure can diminish over time and fluctuate with temperature.
- Do not overload your vehicle. Maximum vehicle and axle weights are listed on the tire information placard.
- Extra caution should be taken when operating the vehicle near its maximum load, including assuring proper tire pressure and reducing speeds.
- Extra caution should be taken when operating on rough roads to avoid impacts that could cause tire damage.
- In the event that you encounter an abnormally harsh impact, inspect your tires for damage.
- Inspect your tires for damage on a regular basis. If a tire is damaged, replace it immediately.
- Proper suspension alignment is critical for maximum performance and optimal tire wear. If you notice uneven tire wear, have your alignment checked.
- Rotate tires as recommended in the following section *Tire rotation*.
- When replacing tires, the only way to ensure original performance is to use the original equipment tire. If a different tire is used, it should be the same size, speed rating and load rating and be replaced as a set of four. Never mix tire brands.

16

Wheels and Tires



WARNING: For vehicles equipped with optional performance package tires (P265/40-19 front, P285/35-20 rear), only replace wheels and tires with the EXACT original brand, size and construction tire with which your vehicle was originally equipped. Use of any other wheel/tire combinations, even with identical size ratings, may result in insufficient running clearances, tire rubbing and eventual puncture. Loss of tire pressure could lead to a loss of vehicle control leading to serious injury or death.

Summer tires

The Shelby GT500 Performance Package is equipped with D.O.T. approved ultra high performance summer tires with track capability. The rubber compounds used in these tires lose flexibility and may develop surface cracks in the tread area at temperatures below 20°F (-7°C). Always store your tires indoors at temperatures above 20°F (-7°C). If the tires have been subjected to 20°F (-7°C) or less, warm them in a heated space to at least 40°F (5°C) for at least 24 hours before installing them on a vehicle, or moving the vehicle with the tires installed, or checking tire inflation. Do not place tires near heaters or heating devices used to warm the room where the tires are stored. Do not apply heat or blow heated air directly on the tires. Always inspect the tires after storage periods and before use as outlined in the owner's guide. Ford does not recommend using these high performance summer tires when temperatures drop to approximately 40°F (5°C) or below, or in snow/ice conditions.

Winter driving

The original equipment tires on your SVT vehicle are designed for maximum performance in dry and wet summer conditions. They are not designed for winter use on ice or snow and cannot be used with snow chains. If you will be operating your vehicle in these conditions, winter or all-season tires must be used.

- Use winter tires with a "V" speed rating and a 93 load index or higher for all models. You may also use P255/45R-18 winter tires with a "V" speed rating and a 93 load index and 18 in. wheels from the 2007-2010 model year Shelby GT500. Using these wheels will ensure adequate brake and suspension clearance.

Wheels and Tires

- Do not use a winter tire with less than a “V” speed rating, and even with clear, dry driving conditions do not operate your vehicle above posted speed limits while using winter tires. Never perform high speed driving with winter tires.

Please call the Ford Performance Info Center at 1-800-FORD-SVT (367-3788) for specific winter tire recommendations.

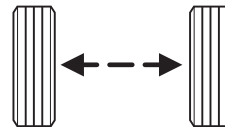
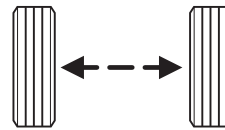
Tire rotation

Because your vehicle is equipped with unique larger tires on the rear wheels, you can only rotate the tires side to side. You must not rotate tires in a crisscross pattern or front to rear. If you notice that the tires wear unevenly, have them checked.

Note: The optional performance package tires (P265/40-19 front, P285/35-20 rear) are directional. Tire rotation is not recommended for directional tires.

The tires on your Shelby GT500 should be rotated every 5,000 miles (8,000 km). This will help your tires wear more evenly, providing better tire performance and longer tire life.

- Tire rotation (front tires at the top of the diagram)



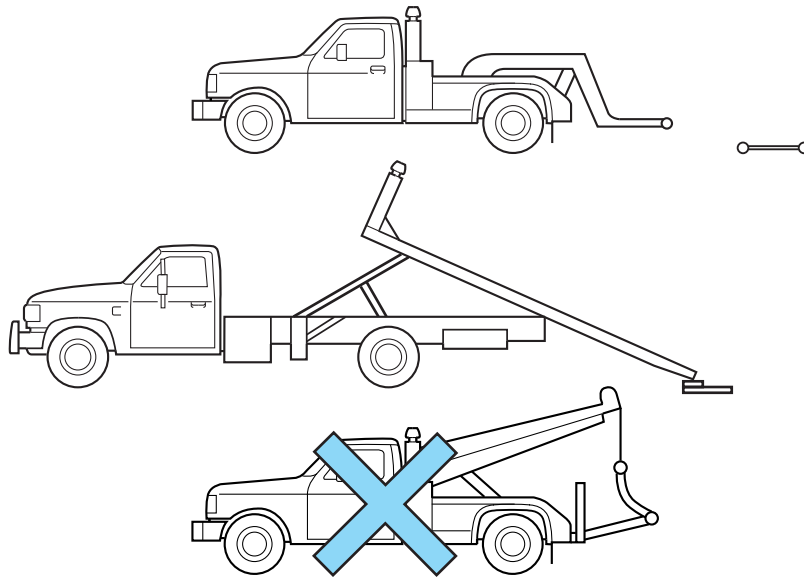
Sometimes irregular tire wear can be corrected by rotating the tires.

Note: If your tires show uneven wear, ask an authorized dealer to check for and correct any wheel misalignment, tire imbalance or mechanical problem involved before tire rotation.

Note: After having your tires rotated, inflation pressure must be checked and adjusted to the vehicle requirements.

Roadside Emergencies

WRECKER TOWING



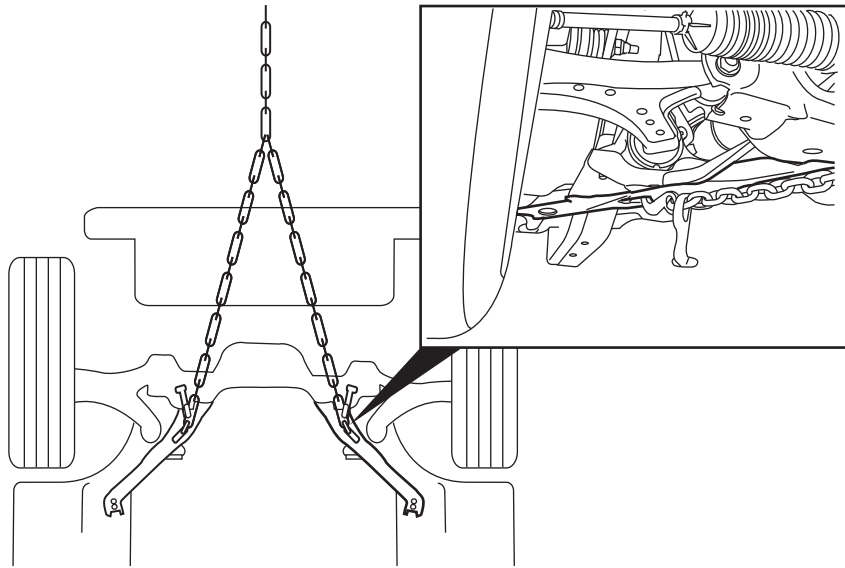
If you need to have your vehicle towed, contact your roadside assistance center or a professional towing service.

It is recommended that your vehicle be towed with a wheel lift and dollies or with flatbed equipment. When towing with a flatbed, 4x4 blocks must be used when loading/unloading your vehicle. Do not tow with a slingbelt. Ford Motor Company has not approved a slingbelt towing procedure.

Note: If the vehicle is towed by other means or incorrectly, vehicle damage may occur.

Roadside Emergencies

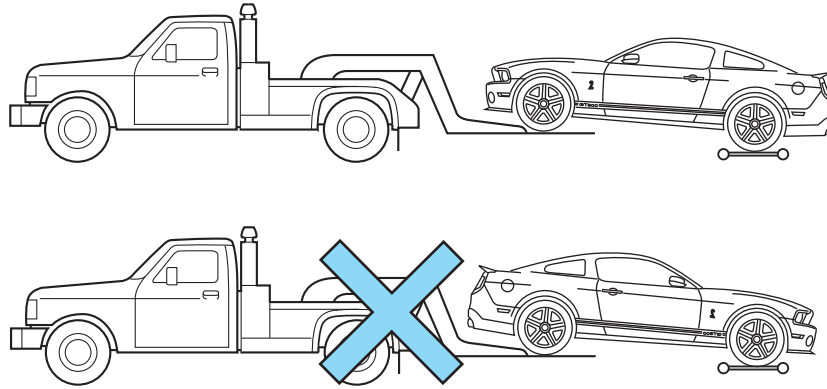
Transportation Instructions



When towing the vehicle, make sure that you use two mini J hooks and attach them to the crossmember oblong holes as shown. Other methods may damage the vehicle.

Roadside Emergencies

Wheel Lift



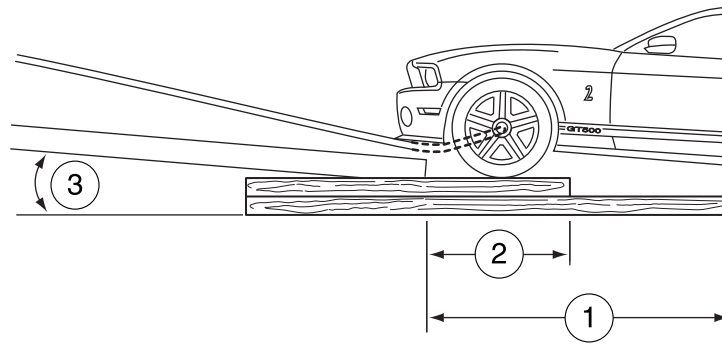
When towing the Shelby GT500, for front loading, the front tires must be 16 in. (41 cm) higher than the rear.

Rear lift towing is not recommended, as vehicle damage may occur.

Roadside Emergencies

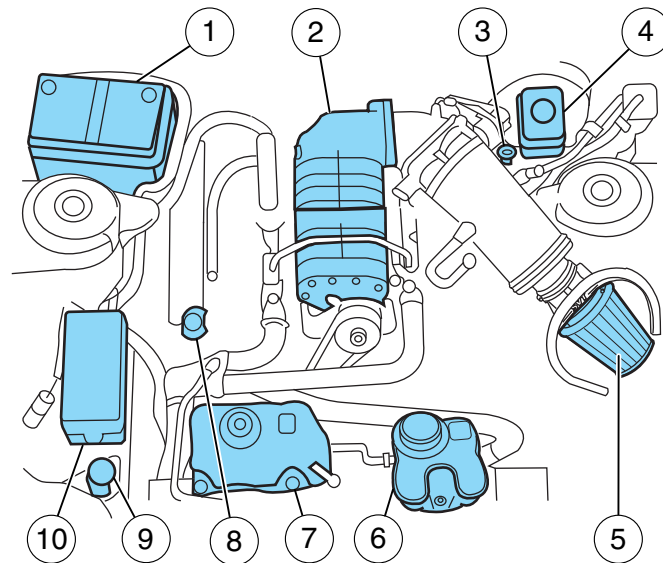
Flatbed

The diagram below illustrates the maximum ramp angle allowable to load your vehicle on a flatbed. Vehicle damage may occur with greater angles.



1. 36 in. (91 cm) 4x4 loading block
2. 18 in. (45.72 cm) 4x4 loading block
3. 11.5° maximum

5.4L DOHC SUPERCHARGED V8 ENGINE



1. Battery
2. Supercharger
3. Engine oil dipstick
4. Brake fluid reservoir
5. Air filter assembly
6. Intercooler coolant reservoir
7. Engine coolant reservoir
8. Engine oil filler cap
9. Windshield washer reservoir
10. Power distribution box

Maintenance

ENGINE OIL RECOMMENDATION

Use Motorcraft® SAE 5W-50 full synthetic or an equivalent SAE 5W-50 full synthetic oil meeting Ford specification WSS-M2C931-B.

Do not use supplemental engine oil additives, cleaners or other engine treatments. They are unnecessary and could lead to engine damage that is not covered by Ford warranty.

Change your engine oil and filter according to the appropriate schedule listed in the *scheduled maintenance information*.

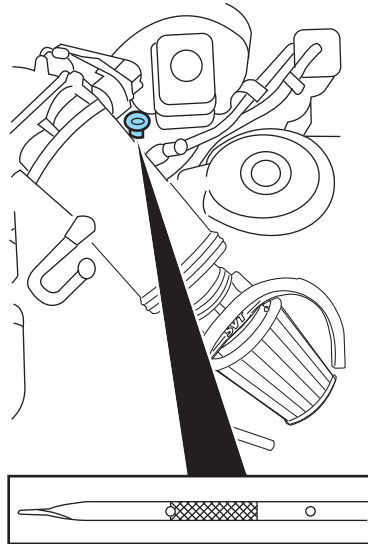
CHECKING THE ENGINE OIL

Refer to the *scheduled maintenance information* for the appropriate intervals for checking the engine oil.

1. Make sure the vehicle is on level ground.
2. Turn the engine off and wait 15 minutes for the oil to drain into the oil pan.
3. Set the parking brake and make sure the gearshift is securely latched in first gear.
4. Open the hood. Protect yourself from engine heat.

Maintenance

5. Locate and carefully remove the engine oil level dipstick.
6. Wipe the dipstick clean. Insert the dipstick fully, then remove it again.
 - If the oil level is between the lower and upper holes, the oil level is acceptable. **DO NOT ADD OIL.**
 - If the oil level is below the lower hole, add enough oil to raise the level within the lower and upper holes.
 - Oil levels above the upper hole may cause engine damage. Some oil must be removed from the engine by an authorized dealer.
7. Put the dipstick back in and make sure it is fully seated.



ENGINE AND INTERCOOLER COOLANT

The concentration and level of coolant should be checked at the mileage intervals listed in the *scheduled maintenance information*. The coolant concentration should be maintained at 50/50 coolant and water, which equates to a freeze point of -34°F (-36°C). Coolant concentration testing is possible with a hydrometer or antifreeze tester (such as the Rotunda Battery and Antifreeze Tester, 0014-R1060). The level of coolant should be maintained at the “cold fill range” level in the coolant reservoir. If the level falls below, add coolant per the instructions in the *Adding coolant* section.

Your vehicle was factory-filled with a 50/50 coolant and water concentration. If the concentration of coolant falls below 40% or above 60%, the engine parts could become damaged or not work properly. **A**

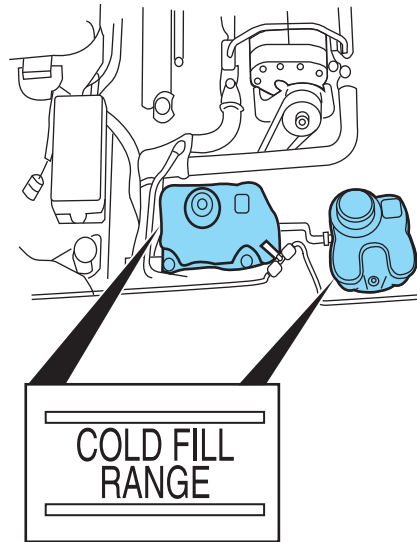
50/50 mixture of coolant and water provides the following:

- **freeze protection down to -34°F (-36°C).**
- **boiling protection up to 265°F (129°C).**
- **protection against rust and other forms of corrosion.**
- **an accurate temperature readout from the engine coolant gauge.**

Maintenance

When the engine is cold, check the level of the engine coolant in the reservoir.

Fill your engine coolant reservoir as outlined in *Adding engine coolant* in this section.



- The coolant should be at the “cold fill range” as listed on the engine coolant reservoir and intercooler coolant reservoir.

To find out how much fluid your vehicle’s cooling system can hold, refer to *Maintenance product specifications and capacities* in this chapter.

- Refer to the *scheduled maintenance information* for service interval schedules.
- Be sure to read and understand *Precautions when servicing your vehicle* in your *Owner’s Guide*.

If the coolant has not been checked at the recommended interval, the engine or intercooler coolant reservoir may become low or empty. If the reservoir is low or empty, add coolant to the reservoir. Refer to *Adding coolant* in this chapter.

Note: Automotive fluids are not interchangeable; do not use engine coolant/antifreeze or windshield washer fluid outside of its specified function and vehicle location.

For more information about engine coolant, see the *Maintenance and Specifications* chapter of the *Owner’s Guide*.

26

Maintenance

Adding coolant

When adding coolant, make sure it is a 50/50 mixture of coolant and distilled water. Add the mixture to the coolant reservoir, **when the engine is cool**, until the appropriate fill level is obtained.



WARNING: Do not add coolant when the engine is hot. Steam and scalding liquids released from a hot cooling system can burn you badly. Also, you can be burned if you spill coolant on hot engine parts.



WARNING: Do not put coolant in the windshield washer fluid container. If sprayed on the windshield, coolant could make it difficult to see through the windshield.

- DO NOT MIX different colors or types of coolant in your vehicle. Make sure the correct coolant is used. DO NOT MIX recycled coolant and conventional coolant together in the vehicle. Mixing of engine coolants may harm your engine's cooling system. The use of an improper coolant may harm engine and cooling system components and may void the warranty. Refer to *Maintenance product specifications and capacities* in this chapter.

Note: Do not use stop leak pellets or cooling system sealants/additives as they can cause damage to the engine cooling and/or heating systems. This damage would not be covered under your vehicle's warranty.

- A large amount of water without coolant may be added, in case of emergency, to reach a vehicle service location. In this instance, the cooling system must be drained and refilled with a 50/50 mixture of coolant and distilled water as soon as possible. Water alone (without coolant) can cause engine damage from corrosion, overheating or freezing.
- **Do not use alcohol, methanol or brine or any engine coolants mixed with alcohol or methanol antifreeze (coolant).** Alcohol and other liquids can cause engine damage from overheating or freezing.
- **Do not add extra inhibitors or additives to the coolant.** These can be harmful and compromise the corrosion protection of the engine coolant.

Maintenance



WARNING: To reduce the risk of personal injury, make sure the engine is cool before unscrewing the coolant pressure relief cap. The cooling system is under pressure; steam and hot liquid can come out forcefully when the cap is loosened slightly.

If you must remove the pressure relief cap or radiator cap (depending upon engine application), follow these steps to avoid personal injury:

1. Before you remove the cap, turn the engine off and let it cool.
2. When the engine is cool, wrap a thick cloth around the cap. Slowly turn cap counterclockwise until pressure begins to release.
3. Step back while the pressure releases.
4. When you are sure that all the pressure has been released, use the cloth to turn it counterclockwise and remove the cap.

Coolant and Intercooler Refill Procedure

The following procedure should be used when refilling the cooling system after it has been drained or become extremely low.

1. Remove the pressure relief cap from the coolant reservoir as previously outlined.
2. Slowly add a **50/50 mixture** of coolant and distilled water to the coolant reservoir until the coolant level is at the “cold fill level” as listed on the reservoir.
3. Reinstall the pressure relief cap.
4. Start and idle the engine until the upper radiator hose is warm (this indicates the thermostat is open and coolant is flowing through the entire system).
5. Shut the engine off and let it cool.
6. Remove the pressure relief cap from the coolant reservoir as previously outlined.
7. Add a **50/50 mixture** of coolant and distilled water to the coolant reservoir until the coolant level is at the “cold fill range” as listed on the reservoir.
8. Reinstall the pressure relief cap.
9. Check the coolant level in the reservoir before you drive your vehicle the next few times (with the engine cool).
10. If necessary, add a **50/50 mixture** of coolant and distilled water to the coolant reservoir until the coolant level is at the “cold fill range” as listed on the reservoir.

28

Maintenance

After any coolant has been added, check the coolant concentration (refer to the *Maintenance and Specifications* chapter of your *Owner's Guide*). If the concentration is not 50/50 (protection to $-34^{\circ}\text{F}/-36^{\circ}\text{C}$), drain some coolant and adjust the concentration. It may take several drains and additions to obtain a 50/50 coolant concentration.

Whenever coolant has been added, the coolant level in the coolant reservoir should be checked the next few times you drive the vehicle. If necessary, add enough 50/50 concentration of coolant and distilled water to bring the liquid level to the proper level.

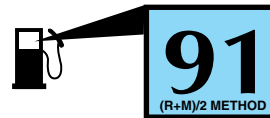
If you have to add more than 1.0 quart (1.0 liter) of coolant per month, have your dealer check the cooling system. Your cooling system may have a leak. Operating an engine with a low level of coolant can result in engine overheating and possible engine damage.

ENGINE SPARK PLUG INTERVAL

To keep your high performance engine operating at peak performance, the spark plug service interval is every 45,000 miles (72,000 km). Reference the Motorcraft® Part Numbers chart for the specific spark plug application.

OCTANE RECOMMENDATIONS

Your vehicle is designed to run on Premium fuel with an (R+M)/2 octane rating of 91 or higher. For best overall performance, SVT recommends using Premium fuel with an (R+M)/2 octane rating of 93 or higher where available. The performance gained by using higher octane fuel will be most noticeable in hot weather or in severe duty applications.



Recommended fuel is an important part of the proper maintenance and optimal performance of this vehicle. The use of gasoline with an (R+M)/2 octane rating lower than 91 can lead to severe mechanical damage to your vehicle, may degrade vehicle performance, and may affect your warranty coverage. Please see the Warranty Guide for complete information.

SVT does not recommend the use of gasolines labeled as "Premium" with (R+M)/2 octane ratings less than 91.

Maintenance

AIR FILTER

Refer to *scheduled maintenance information* for the appropriate intervals for changing the air filter element.

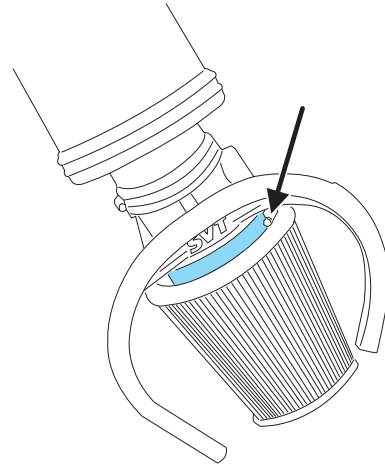
When changing the air filter element, use only the Motorcraft® air filter element listed. Refer to *Motorcraft part numbers* in this chapter.



WARNING: To reduce the risk of vehicle damage and/or personal burn injuries do not start your engine with the air cleaner removed and do not remove it while the engine is running.

Changing the air filter element

1. Loosen the air filter clamp bolt enough to allow the air filter to slip off the air filter housing easily.
2. Slip the air filter off from the air filter housing.
3. Wipe the air filter housing clean to remove any dirt or debris.
4. Install the new air filter taking care not to damage the air filter element. Align tab on closed end of filter with notch in air filter housing.
5. Tighten the air filter clamp bolt.



MOTORCRAFT PART NUMBERS

Component	5.4L Supercharged V8 engine
Air filter element	FA-1896
Fuel filter	FG-1083
Battery	BXT-96R-590
Oil filter	FL-820S
Spark plugs	AGSF-22FM1 .042-.046 inch (1.07-1.17 mm)

MAINTENANCE PRODUCT SPECIFICATIONS AND CAPACITIES

Item	Capacity	Ford part name or equivalent	Ford part number / Ford Specification
Brake fluid	Between MIN and MAX lines on reservoir	Motorcraft High Performance DOT 3 Motor Vehicle Brake Fluid	PM-1-C / WSS-M6C62-A or WSS-M6C65-A1
Engine oil (includes filter change)	6.5 quarts (6.1L)	Motorcraft 5W-50 Full Synthetic Motor Oil	XO-5W50-QGT / WSS-M2C931-B
Engine coolant ¹	21.1 quarts (20.0L)	Motorcraft Specialty Orange Engine Coolant with bittering agent (US) /	VC-3-B (US) CVC-3-B (Canada) / WSS-M97B44-D
Intercooler coolant ¹	4.17 quarts (3.95L) (See your authorized dealer for service)	Motorcraft Specialty Orange Engine Coolant (Canada)	
Rear axle lubricant ²	4.25 pints (2.0L)	Motorcraft SAE 75W-140 High Performance Synthetic Rear Axle Lubricant	XY-75W140-QL / WSL-M2C192-A
Rear axle fluid friction modifier	4 oz. (118 ml)	Additive Friction Modifier	XL-3 EST-M2C118-A
Fuel tank	16.0 gallons (60.5L)	—	—

Maintenance

Item	Capacity	Ford part name or equivalent	Ford part number / Ford Specification
Transmission fluid ³	6.35 pints (3.5L) ⁴	Motorcraft MERCON [®] V ATF	XT-5-QM / MERCON [®] V
Windshield washer fluid	4.0 quarts (3.8L)	Motorcraft Premium Windshield Washer Concentrate (US) / Premium Quality Windshield Washer Fluid (Canada)	ZC-32-A (US) CXC-37-(A, B, D, and F) (Canada) / WSB-M8B16-A2 / - -

32

¹Add the coolant type originally equipped in your vehicle.

²Rear axle lubricants do not need to be checked or changed unless a leak is suspected, service is required or the axle assembly has been submerged in water. The axle lubricant should be changed any time the rear axle has been submerged in water. For vehicles with a cooler, the axle pump must be running to perform the service refill.

Fill 1/4-9/16 in. (6-14 mm) below bottom of fill hole.

³The TREMEC 6060 6-speed manual transmission on your Shelby GT500 uses MERCON[®] V automatic transmission fluid. Make sure that the correct MERCON[®] V ATF automatic transmission fluid is used as indicated on the label on your transmission.

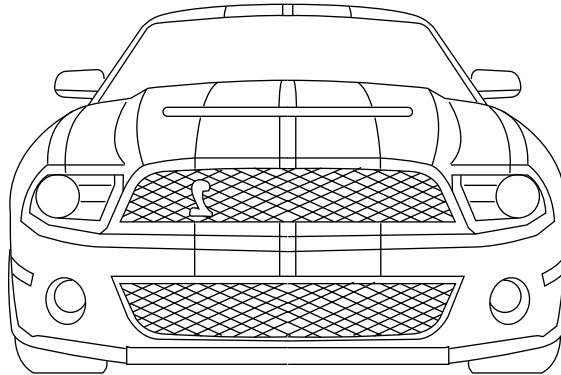
⁴Service refill capacity is determined by filling the transmission to the bottom of the filler hole with the vehicle on a level surface. For vehicles with a transmission cooler, the engine must be running, the clutch pedal must be released, and the transmission must be in neutral to perform the service refill.

Maintenance

USING THE RIGHT BULBS

Function	Trade Number
Park lamp, turn lamp, side marker (front)	3156K
Luggage compartment lamp	S211
Fog lamp	PS24N

DRIVETRAIN



Item	Description	
Rear axle	8.8 in. solid rear axle with limited-slip differential 3.55:1 ratio 3.73:1 ratio (Optional Performance Package)	
Driveshaft	2-piece steel	
Transmission	Tremec TR-6060 6-speed manual with integral clutch housing	
Gear ratios	<i>Gear</i>	<i>Ratio</i>
	1st	2.98
	2nd	1.78
	3rd	1.30
	4th	1.00
	5th	0.74
	6th	0.50
	Reverse	2.90

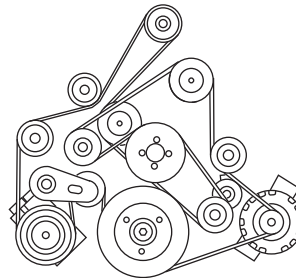
Maintenance

ENGINE INFORMATION

Item	Description
Configuration	Longitudinally mounted, 90-degree V8, cast aluminum cylinder block and cylinder heads
Bore x Stroke	90.2 x 105.8 mm (3.55 x 4.165 in.)
Displacement	5410 cc/330 cid
Compression ratio	8.4:1
Horsepower	550 horsepower @ 6200 rpm
Torque	510 lb-ft torque @ 4250 rpm
Redline	6250 rpm fuel shut-off
Specific output	102 HP per liter
Valvetrain	Dual overhead chain-driven cams, roller finger followers with hydraulic lash adjustment, ovate-wire valve springs, four valves per cylinder
Fuel system	Sequential electronic fuel injection
Mass air sensor	105 mm (4.13 in.) circle
Throttle body	Twin 60 mm (2.36 in.) diameter bore-simultaneously open
Pistons	Forged aluminum
Crankshaft	Forged steel
Connecting rods	Forged steel I-beam
Supercharger	Eaton model 122, Roots-type
Exhaust manifolds	Cast high-silicon, molybdenum iron
Exhaust system	Dual stainless steel

Engine drivebelt routing

5.4L DOHC Supercharged V-8



Warranty Coverage

WARRANTY COVERAGE

The Shelby GT500 carries the same warranty as other Ford Mustang models. This information is covered in its entirety in the Ford Motor Company Warranty Guide.

Warranty service for the Shelby GT500 or any SVT vehicle can be obtained at any Ford dealer nationwide.

SVT does not recommend modifying or racing SVT vehicles, as they are designed and built to be driven as delivered from the factory. The Ford Motor Company Warranty Guide discusses vehicle usage and the installation of aftermarket parts and their effect on warranty coverage.

Please see the Warranty Guide for complete information.

In the event the vehicle is intended for track use, and the loss of warranty coverage is not of concern, the following vehicle durability modifications are required:

- Install transmission oil cooler. Permanent damage to the transmission will result if the vehicle is subjected to competition conditions without installation of a transmission oil cooler.
- Install rear differential cooler. Permanent damage to the rear differential will result if the vehicle is subjected to competition conditions without installation of a differential cooler.
- Install Ford Racing brake cooling duct kit. Excessive brake wear will occur if the vehicle is subjected to competition conditions without installation of a brake cooling kit.
- Replace the rear axle lubricant after the first 1 hour of high-speed operation or if the vehicle is subjected to competition conditions and every 12 hours thereafter.

Additionally, perform multi-point inspection and the maintenance outlined in the 150,000 mile (240,000 km) normal maintenance schedule of the *scheduled maintenance information* before and after track use. Refer to the vehicle service manual for removal and installation procedures. Replace with Genuine Ford and Motorcraft® service parts as needed.

These modifications may not necessarily protect your engine from damage in competition conditions. Subjecting your vehicle to competition conditions even with these proposed modifications may render repairs non-reimbursable under the warranty.

Scheduled Maintenance Guide

GENERAL MAINTENANCE INFORMATION

Why Maintain Your Vehicle?

Carefully following this schedule helps protect against major repair expenses resulting from neglect or inadequate maintenance and may also help to increase the value of your vehicle when you sell or trade it.

It is your responsibility to see that all scheduled maintenance is performed and that the materials used meet Ford engineering specifications as identified in the *Maintenance and Specifications* chapter. Failure to perform scheduled maintenance specific in this guide will invalidate warranty coverage on parts affected by the lack of maintenance. Be sure receipts for completed maintenance are kept with the vehicle and confirmation of the work performed is always recorded in this guide.

Your dealer has factory-trained technicians who can perform the required maintenance using genuine Ford parts. They are committed to meeting your service needs and to assuring your continuing satisfaction.

Protecting Your Investment

Maintenance is an investment that will pay dividends in the form of improved reliability, durability and resale value. To maintain the proper performance of your vehicle and its emission control systems, it is imperative that scheduled maintenance be completed at the designated intervals.

Your vehicle is very sophisticated and built with multiple complex performance systems. Every manufacturer develops these systems using different specifications and performance features. That's why it's important to rely upon your dealership to properly diagnose and repair your vehicle.

Ford Motor Company has recommended maintenance intervals for various parts and component systems based upon engineering testing. Ford Motor Company relies upon this testing to determine the most appropriate mileage for replacement of oils and fluids to protect your vehicle at the lowest overall cost to you and recommends against maintenance schedules that deviate from the scheduled maintenance information.

Ford strongly recommends the use of genuine Ford replacement parts. Parts other than Ford, Motorcraft® or Ford-authorized remanufactured parts that are used for maintenance replacement or for the service of components affecting emission control must be equivalent to genuine

36

Scheduled Maintenance Guide

Ford Motor Company parts in performance and durability. It is the owner's responsibility to determine the equivalency of such parts. Please consult your *Warranty Guide* for complete warranty information.

Chemicals or additives not approved by Ford are not required for factory recommended maintenance. In fact, Ford Motor Company recommends against the use of such additive products unless specifically recommended by Ford for a particular application.

Oils, Fluids and Flushing

In many cases, fluid discoloration is a normal operating characteristic and, by itself, does not necessarily indicate a concern or that the fluid needs to be changed. However, discolored fluids that also show signs of overheating and/or foreign material contamination should be inspected immediately by a qualified expert such as the factory-trained technicians at your dealership. Your vehicle's oils and fluids should be changed at the specified intervals or in conjunction with a repair. Flushing is a viable way to change fluid for many vehicle sub-systems during scheduled maintenance. It is critical that systems are flushed only with new fluid that is the same as that required to fill and operate the system, or using a Ford-approved flushing chemical.

Genuine Ford Parts and Service

When planning your maintenance services, consider your dealership for all your vehicle's needs.

There are a lot of reasons why visiting your dealership for all your service needs is a great way to help keep your vehicle running great.

Convenience

Many dealerships have extended evening and Saturday hours to make your service visit more convenient. How's that for quality service?

Factory-trained Technicians

Service technicians participate in extensive factory-sponsored certification training to help them become experts on the operation of your vehicle. Ask your dealership about the training and certification their technicians have received.

Genuine Ford and Motorcraft® Replacement Parts

Dealerships stock Ford and Motorcraft® branded replacement parts. These parts meet or exceed Ford Motor Company's specifications, and we stand behind them. Parts installed at your dealership carry a nationwide, 12 month/12,000 mile (20,000 km) parts and labor limited warranty. Your dealer can give you details.

Scheduled Maintenance Guide

Value Shopping for Your Vehicle's Maintenance Needs

Your dealership recognizes the competitive landscape of maintenance and light repair automotive services. With factory-trained technicians, and one-stop service from routine maintenance like oil changes and tire rotations to repairs like brake service, check out the value your dealers can offer.

Owner Checks and Services

Certain basic maintenance checks and inspections should be performed by the owner or a service technician at the intervals indicated. Service information and supporting specifications are provided in this owner's guide.

Any adverse condition should be brought to the attention of your dealer or qualified service technician as soon as possible for the proper service advice. The owner maintenance service checks are generally not covered by warranties so you may be charged for labor, parts or fluids used.

Engine oil/coolant change intervals	
Engine oil	6 months or 7,500 miles (12,000 km) (whichever comes first)
Engine coolant, initial change	6 years or 105,000 miles (168,000 km) (whichever comes first)
Engine coolant, after initial change	Every 3 years or 45,000 miles (72,000 km)

Check every month
Engine oil level
Function of all interior and exterior lights
Tires for wear and proper pressure, including spare
Windshield washer fluid level

Check every six months
Battery connections; clean if necessary
Body and door drain holes for obstructions; clean if necessary
Cooling system fluid level and coolant strength
Door weatherstrips for wear; lubricate if necessary
Hinges/latches/outside locks for proper operation; lubricate if necessary
Parking brake for proper operation

Scheduled Maintenance Guide

Check every six months
Safety belts and seat latches for wear and function
Safety warning lamps (brake, ABS, airbag, safety belt) for operation
Washer spray/wiper operation; clean or replace blades as necessary







Multi-Point Inspection

In order to keep your vehicle running right, it is important to have the systems on your vehicle checked regularly. This can help identify potential issues and prevent major problems. Ford Motor Company recommends the following multi-point inspection be performed at every scheduled maintenance interval to help make sure your vehicle keeps running great.

Multi-point inspection – Recommended each visit	
Accessory drive belt(s)	Half-shaft dust boots (if equipped)
Battery performance	Horn operation
Clutch operation (if equipped)	Radiator, cooler, heater and A/C hoses
Engine air filter	Suspension component for leaks or damage
Exhaust system	Steering and linkage
Exterior lamps and hazard warning system operation	Tires for wear and proper pressure, including spare
Fluid levels*; fill if necessary	Windshield for cracks, chips or pits
For oil and fluid leaks	Washer spray and wiper operation
*Brake, coolant recovery reservoir, manual and automatic transmission (with an underhood dipstick), power steering (if equipped) and window washer	

Be sure to ask your dealership service advisor or technician about the multi-point vehicle inspection. It's a comprehensive way to perform a thorough inspection of your vehicle. It's your checklist that gives you immediate feedback on the overall condition of your vehicle. You'll know what's been checked, what's okay, as well as those things that may require future or immediate attention. The multi-point vehicle inspection is one more way to keep your vehicle running great!

Scheduled Maintenance Guide

   		 Owner's Member #: _____ Owner's Service Balance: _____											
Multi-Point Inspection Report Card as Recommended by Ford Motor Company													
Name: _____ E-Mail Address: _____		Today's Date: _____ Mile/Week/Mile: _____ Static Inspection Month: _____											
SCHEDULED MAINTENANCE ITEMS DUE FOR SERVICES ON THIS VEHICLE <table border="1"> <tr> <td><input type="checkbox"/> Cabin Air Filter</td> <td><input type="checkbox"/> Oil Filter</td> </tr> <tr> <td><input type="checkbox"/> Engine Air Filter</td> <td><input type="checkbox"/> Spark Plugs</td> </tr> <tr> <td><input type="checkbox"/> Engine Coolant</td> <td><input type="checkbox"/> Tire Rotation</td> </tr> <tr> <td><input type="checkbox"/> Fuel Filter</td> <td><input type="checkbox"/> Transmission Fluid</td> </tr> <tr> <td><input type="checkbox"/> Oil Change</td> <td><input type="checkbox"/> Transmission Fluid</td> </tr> </table>		<input type="checkbox"/> Cabin Air Filter	<input type="checkbox"/> Oil Filter	<input type="checkbox"/> Engine Air Filter	<input type="checkbox"/> Spark Plugs	<input type="checkbox"/> Engine Coolant	<input type="checkbox"/> Tire Rotation	<input type="checkbox"/> Fuel Filter	<input type="checkbox"/> Transmission Fluid	<input type="checkbox"/> Oil Change	<input type="checkbox"/> Transmission Fluid	SYNCHRONIZED VEHICLE HEALTH REPORT (VHR) VHR Activated: <input type="checkbox"/> Yes <input type="checkbox"/> No <input type="checkbox"/> Checked and OK at this time <input type="checkbox"/> Not checked Contributes to vehicle with a green VHR score	
<input type="checkbox"/> Cabin Air Filter	<input type="checkbox"/> Oil Filter												
<input type="checkbox"/> Engine Air Filter	<input type="checkbox"/> Spark Plugs												
<input type="checkbox"/> Engine Coolant	<input type="checkbox"/> Tire Rotation												
<input type="checkbox"/> Fuel Filter	<input type="checkbox"/> Transmission Fluid												
<input type="checkbox"/> Oil Change	<input type="checkbox"/> Transmission Fluid												
CHECK FLUID LEVELS AND FILL <input type="checkbox"/> Oil and/or fluid leaks <input type="checkbox"/> Coolant <input type="checkbox"/> Power Steering <input type="checkbox"/> Brake Powersteer <input type="checkbox"/> Windshield Washer <input type="checkbox"/> Windshield Washer		CHECK FOLLOWING SYSTEMS STEERING AND SHOCKS <input type="checkbox"/> Steering knuckle <input type="checkbox"/> Steering knuckle <input type="checkbox"/> Steering knuckle <input type="checkbox"/> Steering knuckle											
BATTERY State of Health: _____ Condition of Cell: _____ Factory spec cold cranking amps: _____ Anticorrosion: _____		EXHAUST SYSTEM <input type="checkbox"/> Exhaust system (leaks, damage, loose parts) DRIVE SHAFT AND DRIVE AXLE <input type="checkbox"/> Drive shaft (leaks, damage, loose parts)											
EXTERIOR BODY Note any existing exterior body damage or defects: _____ 		LIGHTS/BLADES/WINDSHIELD <input type="checkbox"/> Operation of front, marker, light, exterior lamps, turn signals, hazard and brake lamps <input type="checkbox"/> Windshield wiper spray; upper, lower and outer blades <input type="checkbox"/> Windshield for cracks, chips and pitting											
TIRES/ BRAKE WEAR TIRES Tread Depth: _____ Tread Pattern: _____ Tire Pressure - set to factory recommended PSI: _____ Brake Lining: _____		BEELTS AND HOSES/BOLTS <input type="checkbox"/> HVAC system and hoses/boots/belts and/or damage <input type="checkbox"/> Engine Cooling system, radiator, hoses and clamps <input type="checkbox"/> Accessory drive belt(s)											
TIRES/ BRAKE WEAR LEFT REAR Tread Depth: _____ Tread Pattern: _____ Tire Pressure - set to factory recommended PSI: _____ Brake Lining: _____		RIGHT FRONT Tread Depth: _____ Tread Pattern: _____ Tire Pressure - set to factory recommended PSI: _____ Brake Lining: _____											
TIRES/ BRAKE WEAR RIGHT REAR Tread Depth: _____ Tread Pattern: _____ Tire Pressure - set to factory recommended PSI: _____ Brake Lining: _____		LEFT FRONT Tread Depth: _____ Tread Pattern: _____ Tire Pressure - set to factory recommended PSI: _____ Brake Lining: _____											
Comments: _____ _____ _____													
Service Advisor: _____		Customer Signature: _____											
Technician: _____		12-XXXXXXXX											

Scheduled Maintenance Guide

NORMAL SCHEDULED MAINTENANCE AND LOG

The following section contains the "Normal Schedule". This schedule is presented at specific mileage (kilometer) intervals with exceptions noted.

Miles (x 1,000)	7.5	15	22.5	30	37.5	45	52.5	60	67.5	75
Kilometers (x 1,000)	12	24	36	48	60	72	84	96	108	120
Months	6	12	18	24	30	36	42	48	54	60
Change engine oil and filter	•	•	•	•	•	•	•	•	•	•
For tire rotation schedule, refer to <i>Tire rotation</i> in the <i>Tire Information</i> chapter										
Inspect the wheels and related components for abnormal noise, wear, looseness or drag	•	•	•	•	•	•	•	•	•	•
Perform multi-point inspection (recommended)	•	•	•	•	•	•	•	•	•	•
Inspect brake pads, shoes, rotors, drums, brake linings, hoses and parking brake		•		•		•		•		•
Inspect engine cooling system concentration and hoses		•		•		•		•		•
Inspect exhaust system and heat shields		•		•		•		•		•
Inspect and lubricate steering linkage, ball joints, suspension, tie-rod ends, driveshaft and U-joints if equipped with grease fittings		•		•		•		•		•
Inspect cabin air filter (if equipped)	•		•		•		•		•	

Scheduled Maintenance Guide

Miles (x 1,000)	82.5	90	97.5	105	112.5	120	127.5	135	142.5	150
Kilometers (x 1,000)	132	144	156	168	180	192	204	216	228	240
Months	66	72	78	84	90	96	102	108	114	120
Change engine oil and filter	•	•	•	•	•	•	•	•	•	•
For tire rotation schedule, refer to <i>Tire rotation</i> in the <i>Tire Information</i> chapter										
Inspect the wheels and related components for abnormal noise, wear, looseness or drag	•	•	•	•	•	•	•	•	•	•
Perform multi-point inspection (recommended)	•	•	•	•	•	•	•	•	•	•
Inspect brake pads, shoes, rotors, drums, brake linings, hoses and parking brake		•		•		•		•		•
Inspect engine cooling system concentration and hoses		•		•		•		•		•
Inspect exhaust system and heat shields		•		•		•		•		•
Inspect and lubricate steering linkage, ball joints, suspension, tie-rod ends, driveshaft and U-joints if equipped with grease fittings		•		•		•		•		•
Inspect cabin air filter (if equipped)	•		•		•		•		•	

Scheduled Maintenance Guide

Every 15,000 miles (24,000 km)	Replace cabin air filter (if equipped)
Every 30,000 miles (48,000 km)	Replace engine air filter
	Replace fuel filter
Every 45,000 miles (72,000 km)	Replace spark plugs
Every 105,000 miles (168,000 km)	Change engine coolant ¹
	Inspect accessory drive belt(s) ²
Every 150,000 miles (240,000 km)	Change manual transmission fluid
	Change rear axle fluid
	Replace accessory drive belt(s) if not replaced within the last 100,000 miles (160,000 km)
¹ Initial replacement at 105,000 miles (168,000 km) or 72 months; every 45,000 miles (72,000 km) or 36 months thereafter	
² Perform a follow-up inspection at 120,000 miles (192,000 km)	

Scheduled Maintenance Guide

Maintenance Schedule Log

<p style="text-align: center;">DEALER VALIDATION:</p> <p style="text-align: center;">P&A CODE:</p> <p>RO#: HOURS:</p> <p>DATE: MILEAGE:</p>	<p style="text-align: center;">DEALER VALIDATION:</p> <p style="text-align: center;">P&A CODE:</p> <p>RO#: HOURS:</p> <p>DATE: MILEAGE:</p>
<p style="text-align: center;">DEALER VALIDATION:</p> <p style="text-align: center;">P&A CODE:</p> <p>RO#: HOURS:</p> <p>DATE: MILEAGE:</p>	<p style="text-align: center;">DEALER VALIDATION:</p> <p style="text-align: center;">P&A CODE:</p> <p>RO#: HOURS:</p> <p>DATE: MILEAGE:</p>
<p style="text-align: center;">DEALER VALIDATION:</p> <p style="text-align: center;">P&A CODE:</p> <p>RO#: HOURS:</p> <p>DATE: MILEAGE:</p>	<p style="text-align: center;">DEALER VALIDATION:</p> <p style="text-align: center;">P&A CODE:</p> <p>RO#: HOURS:</p> <p>DATE: MILEAGE:</p>
<p style="text-align: center;">DEALER VALIDATION:</p> <p style="text-align: center;">P&A CODE:</p> <p>RO#: HOURS:</p> <p>DATE: MILEAGE:</p>	<p style="text-align: center;">DEALER VALIDATION:</p> <p style="text-align: center;">P&A CODE:</p> <p>RO#: HOURS:</p> <p>DATE: MILEAGE:</p>
<p style="text-align: center;">DEALER VALIDATION:</p> <p style="text-align: center;">P&A CODE:</p> <p>RO#: HOURS:</p> <p>DATE: MILEAGE:</p>	<p style="text-align: center;">DEALER VALIDATION:</p> <p style="text-align: center;">P&A CODE:</p> <p>RO#: HOURS:</p> <p>DATE: MILEAGE:</p>

Scheduled Maintenance Guide

<p style="text-align: center;">DEALER VALIDATION:</p> <p style="text-align: center;">P&A CODE:</p> <p>RO#: HOURS:</p> <p>DATE: MILEAGE:</p>	<p style="text-align: center;">DEALER VALIDATION:</p> <p style="text-align: center;">P&A CODE:</p> <p>RO#: HOURS:</p> <p>DATE: MILEAGE:</p>
<p style="text-align: center;">DEALER VALIDATION:</p> <p style="text-align: center;">P&A CODE:</p> <p>RO#: HOURS:</p> <p>DATE: MILEAGE:</p>	<p style="text-align: center;">DEALER VALIDATION:</p> <p style="text-align: center;">P&A CODE:</p> <p>RO#: HOURS:</p> <p>DATE: MILEAGE:</p>
<p style="text-align: center;">DEALER VALIDATION:</p> <p style="text-align: center;">P&A CODE:</p> <p>RO#: HOURS:</p> <p>DATE: MILEAGE:</p>	<p style="text-align: center;">DEALER VALIDATION:</p> <p style="text-align: center;">P&A CODE:</p> <p>RO#: HOURS:</p> <p>DATE: MILEAGE:</p>
<p style="text-align: center;">DEALER VALIDATION:</p> <p style="text-align: center;">P&A CODE:</p> <p>RO#: HOURS:</p> <p>DATE: MILEAGE:</p>	<p style="text-align: center;">DEALER VALIDATION:</p> <p style="text-align: center;">P&A CODE:</p> <p>RO#: HOURS:</p> <p>DATE: MILEAGE:</p>
<p style="text-align: center;">DEALER VALIDATION:</p> <p style="text-align: center;">P&A CODE:</p> <p>RO#: HOURS:</p> <p>DATE: MILEAGE:</p>	<p style="text-align: center;">DEALER VALIDATION:</p> <p style="text-align: center;">P&A CODE:</p> <p>RO#: HOURS:</p> <p>DATE: MILEAGE:</p>

Scheduled Maintenance Guide

<p style="text-align: center;">DEALER VALIDATION:</p> <p style="text-align: center;">P&A CODE:</p> <p>RO#: HOURS:</p> <p>DATE: MILEAGE:</p>	<p style="text-align: center;">DEALER VALIDATION:</p> <p style="text-align: center;">P&A CODE:</p> <p>RO#: HOURS:</p> <p>DATE: MILEAGE:</p>
<p style="text-align: center;">DEALER VALIDATION:</p> <p style="text-align: center;">P&A CODE:</p> <p>RO#: HOURS:</p> <p>DATE: MILEAGE:</p>	<p style="text-align: center;">DEALER VALIDATION:</p> <p style="text-align: center;">P&A CODE:</p> <p>RO#: HOURS:</p> <p>DATE: MILEAGE:</p>
<p style="text-align: center;">DEALER VALIDATION:</p> <p style="text-align: center;">P&A CODE:</p> <p>RO#: HOURS:</p> <p>DATE: MILEAGE:</p>	<p style="text-align: center;">DEALER VALIDATION:</p> <p style="text-align: center;">P&A CODE:</p> <p>RO#: HOURS:</p> <p>DATE: MILEAGE:</p>
<p style="text-align: center;">DEALER VALIDATION:</p> <p style="text-align: center;">P&A CODE:</p> <p>RO#: HOURS:</p> <p>DATE: MILEAGE:</p>	<p style="text-align: center;">DEALER VALIDATION:</p> <p style="text-align: center;">P&A CODE:</p> <p>RO#: HOURS:</p> <p>DATE: MILEAGE:</p>
<p style="text-align: center;">DEALER VALIDATION:</p> <p style="text-align: center;">P&A CODE:</p> <p>RO#: HOURS:</p> <p>DATE: MILEAGE:</p>	<p style="text-align: center;">DEALER VALIDATION:</p> <p style="text-align: center;">P&A CODE:</p> <p>RO#: HOURS:</p> <p>DATE: MILEAGE:</p>

Scheduled Maintenance Guide

SPECIAL OPERATING CONDITIONS

If you operate your vehicle **primarily** in any of the following conditions, you need to perform additional maintenance as indicated. If you **occasionally** operate your vehicle under any of these conditions, it is not necessary to perform the additional maintenance. For specific recommendations, see your dealership service advisor or technician.

Extensive idling and/or low-speed driving for long distances as in heavy commercial use such as delivery, taxi, patrol car or livery

- | | |
|--|---|
| Inspect frequently, service as required | – Replace cabin air filter (if equipped) |
| | – Replace engine air filter |
| Every 5,000 miles (8,000 km) | – Inspect brake system |
| | – Rotate tires, inspect tires for wear and measure tread depth |
| | – Inspect the wheels and related components for abnormal noise, wear, looseness or drag |
| | – Lubricate control arm and steering ball joints (if equipped with grease fittings) |
| Every 5,000 miles (8,000 km) or 6 months | – Inspect and lubricate U-joints |
| Every 5,000 miles (8,000 km), 6 months or 200 hours of engine operation | – Change engine oil and filter |

Operating in dusty conditions such as unpaved or dusty roads

- | | |
|---|---|
| Inspect frequently, service as required | – Replace cabin air filter (if equipped) |
| | – Replace engine air filter |
| Every 5,000 miles (8,000 km) | – Rotate tires, inspect tires for wear and measure tread depth |
| | – Inspect the wheels and related components for abnormal noise, wear, looseness or drag |
| Every 5,000 miles (8,000 km) or 6 months | – Change engine oil and filter |
| | – Inspect and lubricate U-joints |
| Every 50,000 miles (80,000 km) | – Change manual transmission fluid |

Scheduled Maintenance Guide

Special Operating Condition Log

<p style="text-align: center;">DEALER VALIDATION:</p> <p style="text-align: center;">P&A CODE:</p> <p>RO#: HOURS:</p> <p>DATE: MILEAGE:</p>	<p style="text-align: center;">DEALER VALIDATION:</p> <p style="text-align: center;">P&A CODE:</p> <p>RO#: HOURS:</p> <p>DATE: MILEAGE:</p>
<p style="text-align: center;">DEALER VALIDATION:</p> <p style="text-align: center;">P&A CODE:</p> <p>RO#: HOURS:</p> <p>DATE: MILEAGE:</p>	<p style="text-align: center;">DEALER VALIDATION:</p> <p style="text-align: center;">P&A CODE:</p> <p>RO#: HOURS:</p> <p>DATE: MILEAGE:</p>
<p style="text-align: center;">DEALER VALIDATION:</p> <p style="text-align: center;">P&A CODE:</p> <p>RO#: HOURS:</p> <p>DATE: MILEAGE:</p>	<p style="text-align: center;">DEALER VALIDATION:</p> <p style="text-align: center;">P&A CODE:</p> <p>RO#: HOURS:</p> <p>DATE: MILEAGE:</p>
<p style="text-align: center;">DEALER VALIDATION:</p> <p style="text-align: center;">P&A CODE:</p> <p>RO#: HOURS:</p> <p>DATE: MILEAGE:</p>	<p style="text-align: center;">DEALER VALIDATION:</p> <p style="text-align: center;">P&A CODE:</p> <p>RO#: HOURS:</p> <p>DATE: MILEAGE:</p>
<p style="text-align: center;">DEALER VALIDATION:</p> <p style="text-align: center;">P&A CODE:</p> <p>RO#: HOURS:</p> <p>DATE: MILEAGE:</p>	<p style="text-align: center;">DEALER VALIDATION:</p> <p style="text-align: center;">P&A CODE:</p> <p>RO#: HOURS:</p> <p>DATE: MILEAGE:</p>

Scheduled Maintenance Guide

<p style="text-align: center;">DEALER VALIDATION:</p> <p style="text-align: center;">P&A CODE:</p> <p>RO#: HOURS:</p> <p>DATE: MILEAGE:</p>	<p style="text-align: center;">DEALER VALIDATION:</p> <p style="text-align: center;">P&A CODE:</p> <p>RO#: HOURS:</p> <p>DATE: MILEAGE:</p>
<p style="text-align: center;">DEALER VALIDATION:</p> <p style="text-align: center;">P&A CODE:</p> <p>RO#: HOURS:</p> <p>DATE: MILEAGE:</p>	<p style="text-align: center;">DEALER VALIDATION:</p> <p style="text-align: center;">P&A CODE:</p> <p>RO#: HOURS:</p> <p>DATE: MILEAGE:</p>
<p style="text-align: center;">DEALER VALIDATION:</p> <p style="text-align: center;">P&A CODE:</p> <p>RO#: HOURS:</p> <p>DATE: MILEAGE:</p>	<p style="text-align: center;">DEALER VALIDATION:</p> <p style="text-align: center;">P&A CODE:</p> <p>RO#: HOURS:</p> <p>DATE: MILEAGE:</p>
<p style="text-align: center;">DEALER VALIDATION:</p> <p style="text-align: center;">P&A CODE:</p> <p>RO#: HOURS:</p> <p>DATE: MILEAGE:</p>	<p style="text-align: center;">DEALER VALIDATION:</p> <p style="text-align: center;">P&A CODE:</p> <p>RO#: HOURS:</p> <p>DATE: MILEAGE:</p>
<p style="text-align: center;">DEALER VALIDATION:</p> <p style="text-align: center;">P&A CODE:</p> <p>RO#: HOURS:</p> <p>DATE: MILEAGE:</p>	<p style="text-align: center;">DEALER VALIDATION:</p> <p style="text-align: center;">P&A CODE:</p> <p>RO#: HOURS:</p> <p>DATE: MILEAGE:</p>

Scheduled Maintenance Guide

EXCEPTIONS

In addition, there are several exceptions to the Normal Schedule. They are listed below:

Normal vehicle axle maintenance

- Rear axles and power take-off (PTO) units containing synthetic fluid and light duty trucks equipped with Ford-design axles are lubricated for life. These fluids are not to be checked or changed unless a leak is suspected, service is required or the axle assembly has been submerged in water. The axle and PTO fluids should be changed anytime the axle and PTO have been submerged in water. During extended trailer tow operation above 70°F (21°C) ambient and wide open throttle for extended periods above 45 mph (72 km/h), non-synthetic rear axle fluids should be changed every 3,000 miles (4,800 km) or three months, whichever occurs first. The 3,000 mile (4,800 km) fluid change interval may be waived if the axle was filled with 75W140 synthetic gear fluid meeting Ford specification WSL-M2C192-A, part number FITZ-19580-B or equivalent. Add friction modifier XL-3 (EST-M2C118-A) or equivalent for complete refill of Traction-Lok rear axles (refer to *Maintenance product specifications and capacities* in the *Maintenance and Specifications* chapter for details). The axle fluid should be changed anytime an axle has been submerged in water.

Police/Taxi/Livery vehicle axle maintenance

- Change rear axle fluid every 100,000 miles (160,000 km). Rear axle fluid change may be waived if the axle was filled with 75W140 synthetic gear fluid meeting Ford specification WSL-M2C192-A, part number FITZ-19580-B or equivalent. Add four ounces (118 mL) of friction modifier XL-3 (EST-M2C118-A) or equivalent for complete refill of Traction-Lok rear axles. The axle fluid should be changed anytime the axle has been submerged in water.

California fuel filter replacement

- If the vehicle is registered in California, the California Air Resources Board has determined that the failure to perform this maintenance item will not nullify the emission warranty or limit recall liability prior to the completion of the vehicle's useful life. Ford Motor Company, however, urges you to have all recommended maintenance services performed at the specified intervals and to record all vehicle service.

Middle East hot climate specifications

- Vehicles operating in the Middle East, North Africa, Sub-Saharan Africa or locations with similar climates using an American Petroleum Institute (API) Certified for Gasoline Engines (Certification mark) oil or SM or greater, the normal oil change interval is 5,000 miles (8,000 km). If using an oil that is less than the API SM (i.e. SL) category, then the oil change service interval is 3,000 mile (4,800 km).
- Edge/MKX AWD only** – vehicles operating off-road in sand during high ambient temperatures must replace the AWD PTU (All-wheel drive Power Transfer Unit) lube every 20,000 miles (32,000 km).

Engine air filter & cabin air filter replacement

- Engine air filter and cabin air filter life is dependent on exposure to dusty and dirty conditions. Vehicles operated in these conditions will require frequent inspection and replacement of the engine air filter and cabin air filter.

Scheduled Maintenance Guide

ENGINE COOLANT CHANGE RECORD

Initial change	Six years or 105,000 miles (168,000 km) (whichever comes first)
After initial change	Every three years or 45,000 miles (72,000 km)

Engine Coolant Change Log

<p style="text-align: center;">DEALER VALIDATION:</p> <p style="text-align: center;">P&A CODE:</p> <p>RO#: HOURS:</p> <p>DATE: MILEAGE:</p>	<p style="text-align: center;">DEALER VALIDATION:</p> <p style="text-align: center;">P&A CODE:</p> <p>RO#: HOURS:</p> <p>DATE: MILEAGE:</p>
<p style="text-align: center;">DEALER VALIDATION:</p> <p style="text-align: center;">P&A CODE:</p> <p>RO#: HOURS:</p> <p>DATE: MILEAGE:</p>	<p style="text-align: center;">DEALER VALIDATION:</p> <p style="text-align: center;">P&A CODE:</p> <p>RO#: HOURS:</p> <p>DATE: MILEAGE:</p>
<p style="text-align: center;">DEALER VALIDATION:</p> <p style="text-align: center;">P&A CODE:</p> <p>RO#: HOURS:</p> <p>DATE: MILEAGE:</p>	<p style="text-align: center;">DEALER VALIDATION:</p> <p style="text-align: center;">P&A CODE:</p> <p>RO#: HOURS:</p> <p>DATE: MILEAGE:</p>

Index

- A**
- AdvanceTrac11
 - Air cleaner filter30
 - Air suspension13
 - Axle
 - refill capacities31
- B**
- Battery
 - replacement, specifications30
 - Brakes
 - fluid, refill capacities31
 - Break-in period4
- C**
- Capacities for refilling fluids31
 - Clutch
 - recommended shift speeds11
 - Coolant
 - refill capacities31
- E**
- Engine34
 - refill capacities31
 - service points23
 - Engine oil
 - filter, specifications30
 - refill capacities31
- F**
- Fluid capacities31
 - Fuel
 - capacity31
 - filter, specifications30
- 52
- octane rating29, 34
- H**
- Headlamps
 - bulb specifications33
- I**
- Ignition34
 - Instrument panel
 - cluster7
- L**
- Lamps
 - bulb replacement specifications chart33
 - Lights, warning and indicator7
 - Lug nuts14
- M**
- Manual transmission
 - fluid capacities31
 - Motorcraft® parts30
- O**
- Octane rating29
- P**
- Parts (see Motorcraft® parts) ...30
- S**
- Scheduled Maintenance Guide
 - Normal Scheduled Maintenance and Log41
 - Spark plugs, specifications ...30, 34

Index

T		Transmission fluid, refill capacities31
Tires		W
changing15		Warning lights (see Lights)7
Towing		Wrecker towing19
wrecker19		